

# Tech Data - Performances

## 1x85-260VAC 50-60Hz

Type	Max torque N.m	SWITCH On-Off	SWITCH Loc Command On-Off	SWITCH Positioner	SWITCH Loc Command Positioner	LOGIC On-Off & Positioner	Positioning torque N.m	Operating time s / 90°	Flange ISO	Power kW	Current rated A	Current start A
AQ1L	15	Yes	--	Yes	--	--	--	13	F03/F04/F05	0.02	0.3	0.8
AQ3L	30	Yes	--	Yes	--	--	--	15	F03/F04/F05	0.02	0.3	0.8
AQ7L	70	Yes	--	Yes	--	--	--	15	F05/F07	0.02	0.4	1

## 1x220/230VAC 50Hz / 60Hz\*

Type	Max torque N.m	SWITCH On-Off	SWITCH Loc Command On-Off	SWITCH Positioner	SWITCH Loc Command Positioner	LOGIC On-Off & Positioner	Positioning torque N.m	Operating time s / 90°	Flange ISO	Power kW	Current rated A	Current start A
AQ5	50	Yes	Yes	--	Yes	Yes	--	16/ <b>13</b>	F05/F07	0.015	0.6	0.7
AQ10	100	Yes	Yes	--	Yes	Yes	50	25/ <b>21</b>	F05/F07	0.015	0.6	0.7
AQ15	150	Yes	Yes	--	Yes	Yes	75	30/ <b>25</b>	F05/F07	0.03	0.8	1.1
AQ25	250	Yes	Yes	--	Yes	Yes	125	30/ <b>25</b>	F07/F10	0.04	1.1	1.4
AQ30	300	Yes	Yes	--	Yes	Yes	150	35/ <b>30</b>	F07/F10	0.04	1.1	1.4
AQ50	500	Yes	Yes	--	Yes	Yes	250	35/ <b>30</b>	F07/F10	0.06	1.2	1.7

\*X = values for 60Hz

## 3x400VAC 50Hz

Type	Max torque N.m	SWITCH On-Off	SWITCH Loc Command On-Off	SWITCH Positioner	SWITCH Loc Command Positioner	LOGIC On-Off & Positioner	Positioning torque N.m	Operating time s / 90°	Flange ISO	Power kW	Current rated A	Current start A
AQ5	50	Yes	Yes	--	Yes	Yes	--	16	F05/F07	0.03	0.3	0.5
AQ10	100	Yes	Yes	--	Yes	Yes	50	25	F05/F07	0.03	0.3	0.5
AQ15	150	Yes	Yes	--	Yes	Yes	75	30	F05/F07	0.03	0.3	0.5
AQ25	250	Yes	Yes	--	Yes	Yes	125	30	F07/F10	0.04	0.3	0.5
AQ30	300	Yes	Yes	--	Yes	Yes	150	35	F07/F10	0.04	0.3	0.7
AQ50	500	Yes	Yes	--	Yes	Yes	250	35	F07/F10	0.07	0.3	0.8

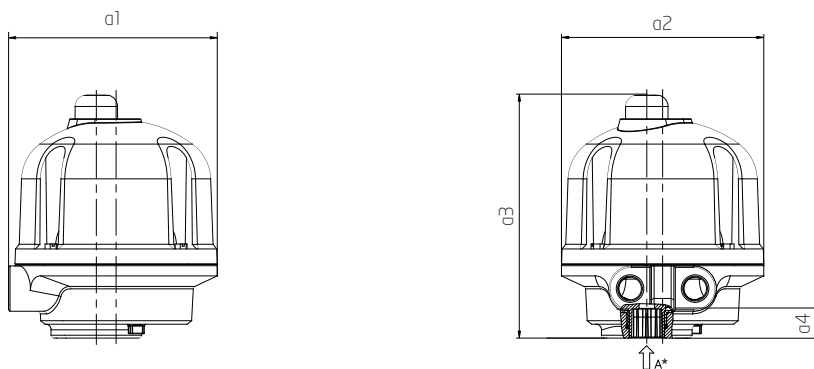
## 24V DC

Type	Max torque N.m	SWITCH On-Off	SWITCH Loc Command On-Off	SWITCH Positioner	SWITCH Loc Command Positioner	LOGIC On-Off & Positioner	Positioning torque N.m	Operating time s / 90°	Flange ISO	Power kW	Current rated A	Current start A
AQ1L	15	Yes	--	Yes	--	--	--	13	F03/F04/F05	0.02	0.4	2.5
AQ3L	30	Yes	--	Yes	--	--	--	15	F03/F04/F05	0.02	0.4	2.5
AQ7L	70	Yes	--	Yes	--	--	--	15	F05/F07	0.02	0.5	6
AQ5	50	Yes	Yes	--	Yes	Yes	--	13	F05/F07	0.03	2.5	8
AQ10	100	Yes	Yes	--	Yes	Yes	50	21	F05/F07	0.03	2.5	8
AQ15	150	Yes	Yes	--	Yes	Yes	75	25	F05/F07	0.03	2.5	8
AQ25	250	Yes	Yes	--	Yes	Yes	125	25	F07/F10	0.05	3.5	10

# Tech Data - Dimensions

## > AQ1L to AQ7L

SWITCH models

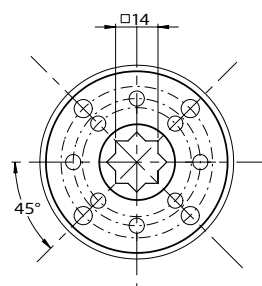


	Flange ISO5211	Stem size (mm)		a1 max. (mm)	a2 (mm)	a3 (mm)	a4 Shaft height acceptance (mm)	Approx. Weight (kg)
		Square (max.)	Double D <sup>1</sup> (mm)					
<b>AQ1L</b>	F03/F04/F05	14	9	150	145	175	20	2.5
<b>AQ3L</b>	F03/F04/F05	14	9	150	145	175	20	2.5
<b>AQ7L</b>	F05/F07	22	11/14	150	145	195	25	3.5

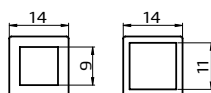
<sup>1</sup> Available on request

## > Available adaptors (A\*)

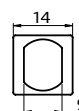
AQ1L & AQ3L



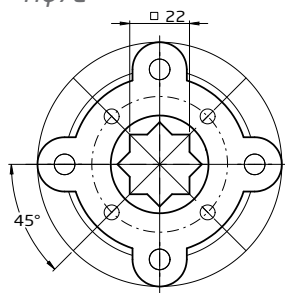
Standard Adaptors



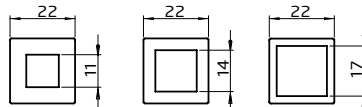
Adaptor on request



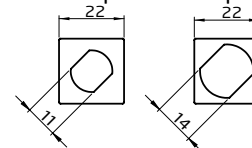
AQ7L



Standard Adaptors



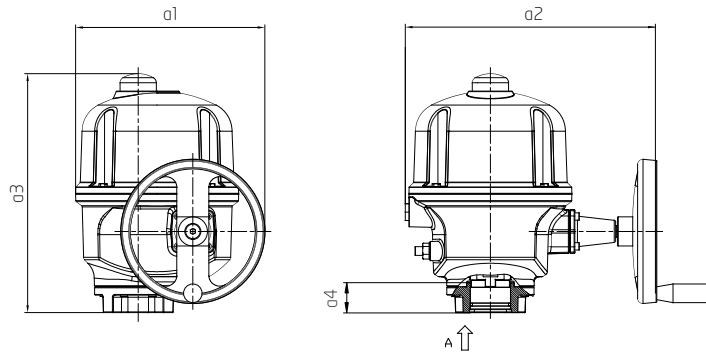
Adaptors on request



# Tech Data - Dimensions

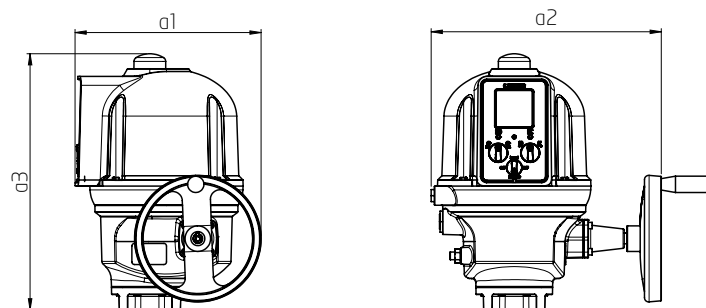
## > AQ5 to AQ50

SWITCH models



	Flange ISO5211	Stem size (mm)		a1 max. (mm)	a2 (mm)	a3 (mm)	a4 Shaft height acceptance (mm)	Approx. Weight (kg)
		Bore (max.)	Square (max.)					
<b>AQ5</b>	F05/F07	22	19	185	225 <sup>2</sup>	290	30	10
<b>AQ10</b>	F05/F07	22	19	185	225 <sup>2</sup>	290	30	10
<b>AQ15</b>	F05/F07	22	19	185	225 <sup>2</sup>	290	30	10
<b>AQ25</b>	F07/F10	30	27	225	315 <sup>2</sup>	320	45	13
<b>AQ30</b>	F07/F10	30	27	260	350 <sup>2</sup>	330	45	15
<b>AQ50</b>	F07/F10	32	27	260	350 <sup>2</sup>	330	45	15

LOGIC models or SWITCH models with local command option



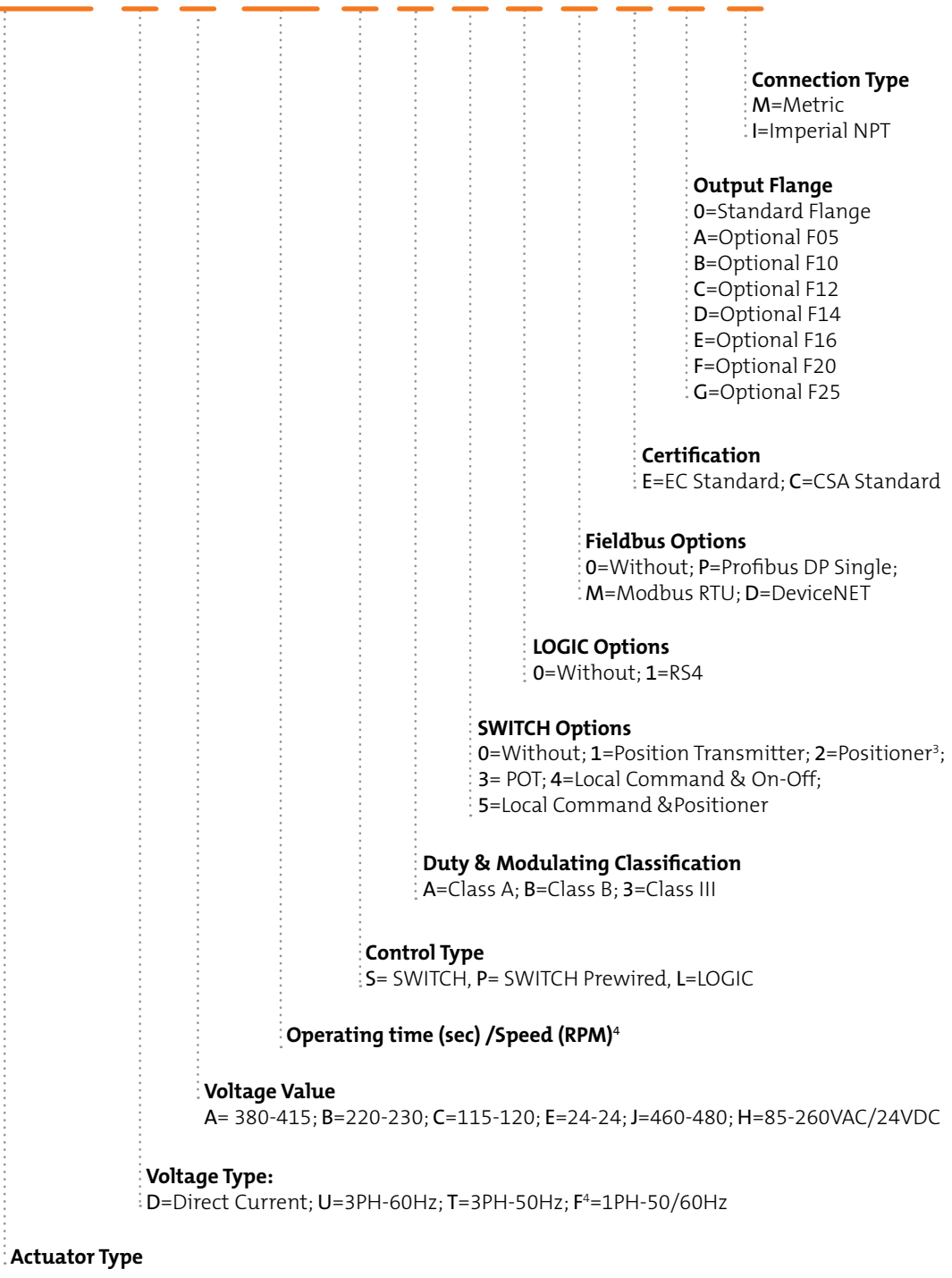
	Flange ISO5211	Stem size (mm)		a1 max. (mm)	a2 (mm)	a3 (mm)	a4 Shaft height acceptance (mm)	Approx. Weight (kg)
		Bore (max.)	Square (max.)					
<b>AQ5</b>	F05/F07	22	19	265	260 <sup>2</sup>	375	30	15
<b>AQ10</b>	F05/F07	22	19	265	260 <sup>2</sup>	375	30	15
<b>AQ15</b>	F05/F07	22	19	265	260 <sup>2</sup>	375	30	15
<b>AQ25</b>	F07/F10	30	27	265	330 <sup>2</sup>	390	45	18
<b>AQ30</b>	F07/F10	30	27	293	360 <sup>2</sup>	401	45	20
<b>AQ50</b>	F07/F10	32	27	293	360 <sup>2</sup>	401	45	20

<sup>2</sup> AQ actuators are represented with handweel fold up



# Product selection

AQ0050 M A 035 S A 0 0 0 E 0 M



<sup>3</sup> On AQL only

<sup>4</sup> Operating time corresponding to 50Hz