

Tech Data - Performances

1x85-260VAC 50-60Hz

Type	Max torque in.lbs	SWITCH On-Off	SWITCH Loc Command On-Off	SWITCH Positioner	SWITCH Loc Command Positioner	LOGIC On-Off & Positioner	Positioning torque in.lbs	Operating time s / 90°	Flange ISO	Power kW	Current rated A	Current start A
AQ1L	132	Yes	--	Yes	--	--	--	13	F03/F04/F05	0.02	0.3	0.8
AQ3L	265	Yes	--	Yes	--	--	--	15	F03/F04/F05	0.02	0.3	0.8
AQ7L	620	Yes	--	Yes	--	--	--	15	F05/F07	0.02	0.4	1

1 x 115/120VAC - 50 / 60Hz*

Type	Max torque in.lbs	SWITCH On-Off	SWITCH Loc Command On-Off	SWITCH Positioner	SWITCH Loc Command Positioner	LOGIC On-Off & Positioner	Positioning torque in.lbs	Operating time s / 90°	Flange ISO	Power kW	Current rated A	Current start A
AQ5	440	Yes	Yes	--	Yes	Yes	--	16/13	F05/F07	0.02	1.1	1.4
AQ10	885	Yes	Yes	--	Yes	Yes	443	25/21	F05/F07	0.02	1.1	1.4
AQ15	1350	Yes	Yes	--	Yes	Yes	675	30/25	F05/F07	0.03	1.3	1.6
AQ25	2250	Yes	Yes	--	Yes	Yes	1125	30/25	F07/F10	0.04	1.5	1.7
AQ30	2650	Yes	Yes	--	Yes	Yes	1325	35/30	F07/F10	0.04	1.5	1.7
AQ50	4425	Yes	Yes	--	Yes	Yes	2213	35/30	F07/F10	0.06	2.5	4.2

*X = values for 60Hz

3 x 460VAC - 60Hz

Type	Max torque in.lbs	SWITCH On-Off	SWITCH Loc Command On-Off	SWITCH Positioner	SWITCH Loc Command Positioner	LOGIC On-Off & Positioner	Positioning torque in.lbs	Operating time s / 90°	Flange ISO	Power kW	Current rated A	Current start A
AQ5	440	Yes	Yes	--	Yes	Yes	--	13	F05/F07	0.03	0.3	0.5
AQ10	885	Yes	Yes	--	Yes	Yes	443	21	F05/F07	0.03	0.3	0.5
AQ15	1350	Yes	Yes	--	Yes	Yes	675	25	F05/F07	0.03	0.3	0.5
AQ25	2250	Yes	Yes	--	Yes	Yes	1125	25	F07/F10	0.04	0.3	0.5
AQ30	2650	Yes	Yes	--	Yes	Yes	1325	30	F07/F10	0.04	0.3	0.5
AQ50	4425	Yes	Yes	--	Yes	Yes	2213	30	F07/F10	0.07	0.3	0.8

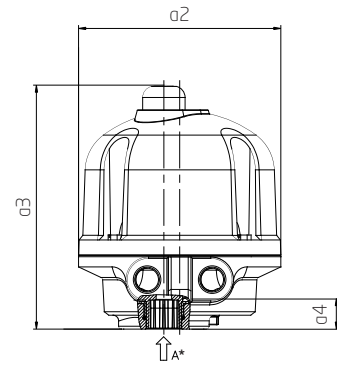
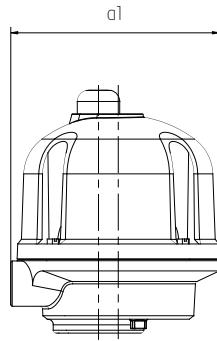
24V DC

Type	Max torque in.lbs	SWITCH On-Off	SWITCH Loc Command On-Off	SWITCH Positioner	SWITCH Loc Command Positioner	LOGIC On-Off & Positioner	Positioning torque in.lbs	Operating time s / 90°	Flange ISO	Power kW	Current rated A	Current start A
AQ1L	132	Yes	--	Yes	--	--	--	13	F03/F04/F05	0.02	0.4	2.5
AQ3L	265	Yes	--	Yes	--	--	--	15	F03/F04/F05	0.02	0.4	2.5
AQ7L	620	Yes	--	Yes	--	--	--	15	F05/F07	0.02	0.5	6
AQ5	440	Yes	Yes	--	Yes	Yes	--	13	F05/F07	0.03	2.5	8
AQ10	885	Yes	Yes	--	Yes	Yes	443	21	F05/F07	0.03	2.5	8
AQ15	1350	Yes	Yes	--	Yes	Yes	675	25	F05/F07	0.03	2.5	8
AQ25	2250	Yes	Yes	--	Yes	Yes	1125	25	F07/F10	0.05	3.5	10

Tech Data - Dimensions

> AQ1L to AQ7L

SWITCH models

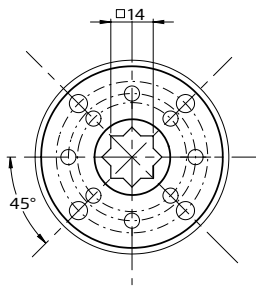


	Flange ISO5211	Stem size (inches)		a1 max. (inches)	a2 (inches)	a3 (inches)	a4 Shaft height acceptance (inches)	Approx. Weight (lbs)
		Square (max.)	Double D ¹ (inches)					
AQ1L	F03/F04/F05	0.55	0.35	5.9	5.7	6.9	0.79	5.5
AQ3L	F03/F04/F05	0.55	0.35	5.9	5.7	6.9	0.79	5.5
AQ7L	F05/F07	0.86	0.43/0.55	5.9	5.7	7.7	0.98	7.7

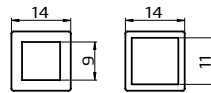
¹ Available on request

> Available adaptors (A*)

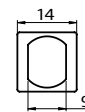
AQ1L & AQ3L



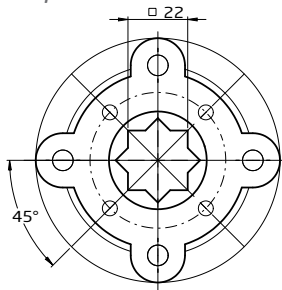
Standard Adaptors



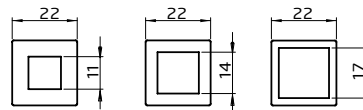
Adaptor on request



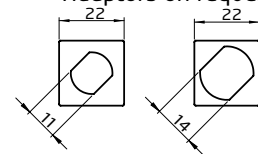
AQ7L



Standard Adaptors



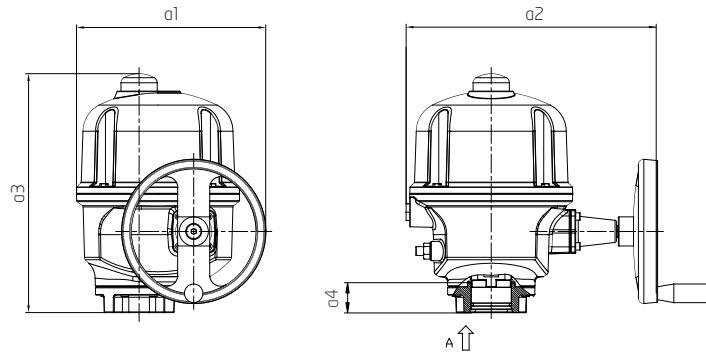
Adaptors on request



Tech Data - Dimensions

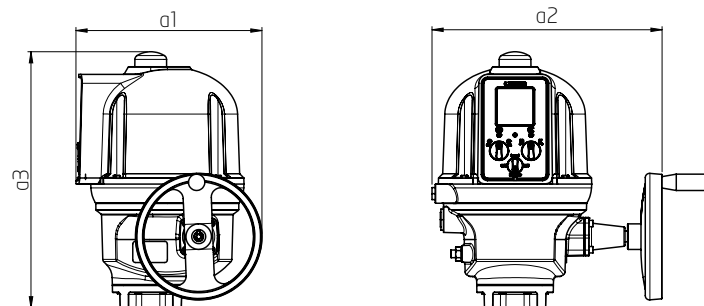
> AQ5 to AQ50

SWITCH models



	Flange ISO5211	Stem size (inches)		a1 max. (inches)	a2 (inches)	a3 (inches)	a4 Shaft height acceptance (mm)	Approx. Weight (lbs)
		Bore (max.)	Square (max.)					
AQ5	F05/F07	0.86	0.75	7.3	8.9 ²	11.4	1.19	22
AQ10	F05/F07	0.86	0.75	7.3	8.9 ²	11.4	1.19	22
AQ15	F05/F07	0.86	0.75	7.3	8.9 ²	11.4	1.19	22
AQ25	F07/F10	1.18	1.06	8.9	12.4 ²	12.6	1.78	26
AQ30	F07/F10	1.18	1.06	10.3	13.8 ²	13	1.78	33
AQ50	F07/F10	1.26	0.9	10.3	13.8 ²	13	1.78	33

LOGIC models or SWITCH models with local command option



	Flange ISO5211	Stem size (inches)		a1 max. (inches)	a2 (inches)	a3 (inches)	a4 Shaft height acceptance (mm)	Approx. Weight (lbs)
		Bore (max.)	Square (max.)					
AQ5	F05/F07	0.86	0.75	10.4	10.2 ²	14.8	1.19	33
AQ10	F05/F07	0.86	0.75	10.4	10.2 ²	14.8	1.19	33
AQ15	F05/F07	0.86	0.75	10.4	10.2 ²	14.8	1.19	33
AQ25	F07/F10	1.18	1.06	10.4	13 ²	15.3	1.78	40
AQ30	F07/F10	1.18	1.06	11.5	14.2 ²	15.8	1.78	44
AQ50	F07/F10	1.26	1.06	11.5	14.2 ²	15.8	1.78	44

² AQ actuators are represented with handweel fold up



Product selection

A Q 0 0 5 0 M A 0 3 5 S A 0 0 0 C 0 I

Actuator Type

Voltage Type:
D=Direct Current; U=3PH-60Hz; T=3PH-50Hz; F⁴=1PH-50/60Hz

Voltage Value
A= 380-415; B=220-230; C=115-120; E=24-24; J=460-480; H²=85-260VAC/24VDC

Operating time (sec) /Speed (RPM)⁴

Control Type
S= SWITCH, P= SWITCH Prewired, L=LOGIC

Duty & Modulating Classification
A=Class A; B=Class B; 3=Class III

SWITCH Options
0=Without; 1=Position Transmitter; 2=Positioner³;
3= POT; 4=Local Command & On-Off;
5=Local Command & Positioner

LOGIC Options
0=Without; 1=RS4

Fieldbus Options
0=Without; P=Profibus DP Single;
M=Modbus RTU; D=DeviceNET

Certification
E=EC Standard; C=CSA Standard

Output Flange
0=Standard Flange
A=Optional F05
B=Optional F10
C=Optional F12
D=Optional F14
E=Optional F16
F=Optional F20
G=Optional F25

Connection Type
M=Metric
I=Imperial NPT

Actuator Type

Voltage Type:
D=Direct Current; U=3PH-60Hz; T=3PH-50Hz; F⁴=1PH-50/60Hz

Voltage Value
A= 380-415; B=220-230; C=115-120; E=24-24; J=460-480; H²=85-260VAC/24VDC

Operating time (sec) /Speed (RPM)⁴

Control Type
S= SWITCH, P= SWITCH Prewired, L=LOGIC

Duty & Modulating Classification
A=Class A; B=Class B; 3=Class III

SWITCH Options
0=Without; 1=Position Transmitter; 2=Positioner³;
3= POT; 4=Local Command & On-Off;
5=Local Command & Positioner

LOGIC Options
0=Without; 1=RS4

Fieldbus Options
0=Without; P=Profibus DP Single;
M=Modbus RTU; D=DeviceNET

Certification
E=EC Standard; C=CSA Standard

Output Flange
0=Standard Flange
A=Optional F05
B=Optional F10
C=Optional F12
D=Optional F14
E=Optional F16
F=Optional F20
G=Optional F25

Connection Type
M=Metric
I=Imperial NPT

³ On AQL only

⁴ Operating time corresponding to 50Hz