

Tech Data - Performances

1x115VAC 60Hz / 1x120VAC 60Hz

							Motor - S4 service - Duty rating : 25%		
Type	Max torque lbs.in	Available in EZ LOGIC On-Off	Available in EZ LOGIC Positioning	Positioning torque lbs.in	Operating time s / 90°	Flange ISO	Power kW	Current rated A	Current start A
EZ4	400	yes	---	---	5	F05/F07	0.03	1.5	1.8
EZ6	530	yes	---	---	5	F05/F07	0.03	1.9	2.5
EZ10	885	yes	---	---	5	F05/F07	0.08	2.2	4.3
EZ10	885	yes	yes	450	30	F05/F07	0.02	1.1	1.6
EZ15	1350	yes	yes	650	21	F05/F07	0.03	1.3	2.0
EZ25	2250	yes	yes	1100	25	F07/F10	0.03	1.3	2.0
EZ60	5310	yes	yes	2600	25	F07/F10	0.08	2.2	4.3
EZ100	8850	yes	yes	4400	24	F12 (F14*)	0.20	4.6	6.7
EZ250	22125	yes	yes	11000	58	F16 (F14*)	0.20	4.6	6.7
EZ400	35400	yes	yes	17000	105	F16	0.20	4.6	6.7
EZ1000	88500	---	---	---	180	F25	0.40	1.1	37

3x460VAC 60Hz / 3x480VAC 60Hz

							Motor - S4 service - Duty rating : 25%		
Type	Max torque lbs.in	Available in EZ LOGIC On-Off	Available in EZ LOGIC Positioning	Positioning torque lbs.in	Operating time s / 90°	Flange ISO	Power kW	Current rated A	Current start A
EZ25	2250	---	---	---	25	F07/F10	0.04	0.3	0.5
EZ60	5310	---	---	---	25	F07/F10	0.07	0.3	0.8
EZ100	8850	yes	yes	4400	24	F12 (F14*)	0.12	0.6	1.2
EZ250	22125	yes	yes	11000	58	F16 (F14*)	0.12	0.6	1.2
EZ400	35400	yes	yes	17000	105	F16	0.12	0.6	1.2
EZ1000	88500	---	---	---	180	F25	0.17	0.7	2.8

24V DC

							Motor - S4 service - Duty rating : 25%		
Type	Max torque lbs.in	Available in EZ LOGIC On-Off	Available in EZ LOGIC Positioning	Positioning torque lbs.in	Operating time s / 90°	Flange ISO	Power kW	Current rated A	Current start A
EZ6	530	yes	---	---	6	F05/F07	0.03	2.5	8
EZ10	885	yes	yes	450	35	F05/F07	0.03	2.5	8
EZ15	1350	yes	---	---	15	F05/F07	0.03	2.5	8
EZ25	2250	yes	yes	1100	30	F07/F10	0.03	2.5	8

* F14 available as an option

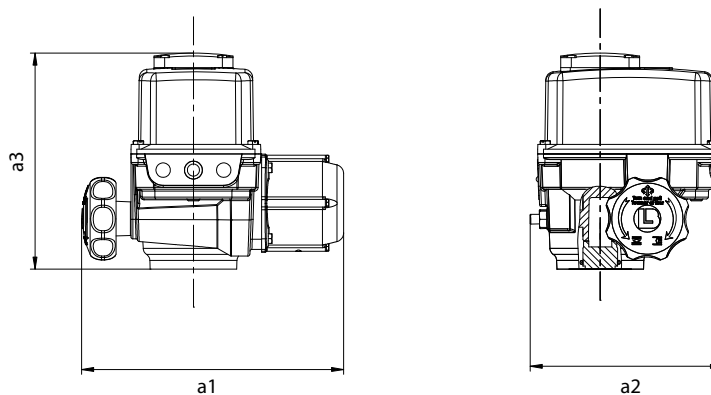
NB: All references above are available in SWITCH version.



Tech Data - Dimensions

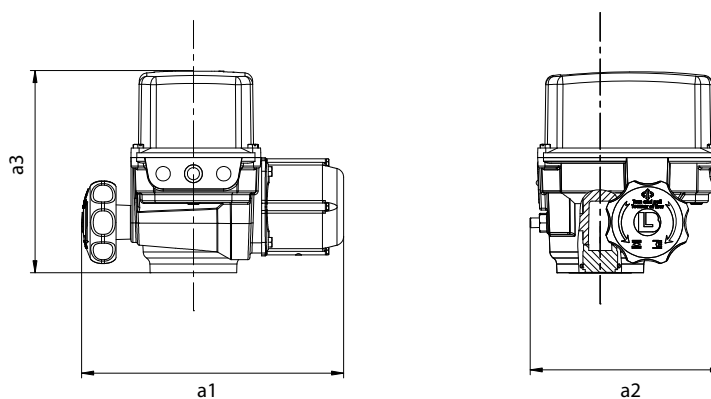
> EZ4 to EZ15

EZ SWITCH models



	Flange ISO5211	Stem size (mm)		a1 max. (mm)	a2 (mm)	a3 (mm)	Approx. Weight (kg/lbs)
		Bore (max.)	Square (max.)				
EZ4	F05/F07	22	19	273	200	225	6 / 13
EZ6	F05/F07	22	19	319	200	225	7 / 14
EZ10	F05/F07	22	19	362	200	225	7 / 14
EZ15	F05/F07	22	19	362	200	225	7 / 14

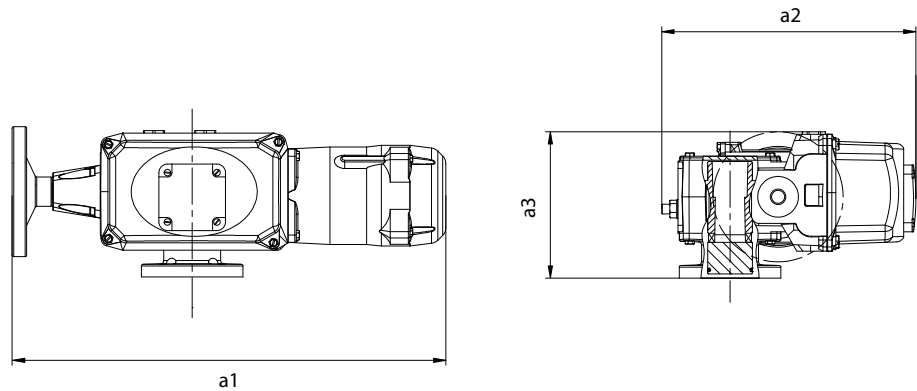
EZ LOGIC models



	Flange ISO5211	Stem size (mm)		a1 max. (mm)	a2 (mm)	a3 (mm)	Approx. Weight (kg/lbs)
		Bore (max.)	Square (max.)				
EZ4	F05/F07	22	19	273	200	217	6 / 13
EZ6	F05/F07	22	19	319	200	217	7 / 14
EZ10	F05/F07	22	19	362	200	217	7 / 14
EZ15	F05/F07	22	19	362	200	217	7 / 14

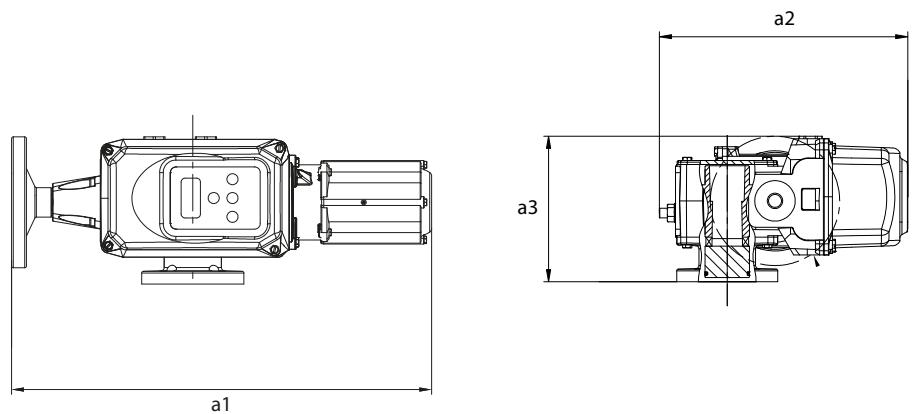
➤ EZ25 to EZ60

EZ SWITCH models



	Flange ISO5211	Stem size (mm)		a1 max. (mm)	a2 (mm)	a3 (mm)	Approx. Weight (kg/lbs)
		Bore (max.)	Square (max.)				
EZ25	F07/F10	30	22	513	313	180	18 / 40
EZ60	F07/F10	32	27	582	313	180	20 / 44

EZ LOGIC models



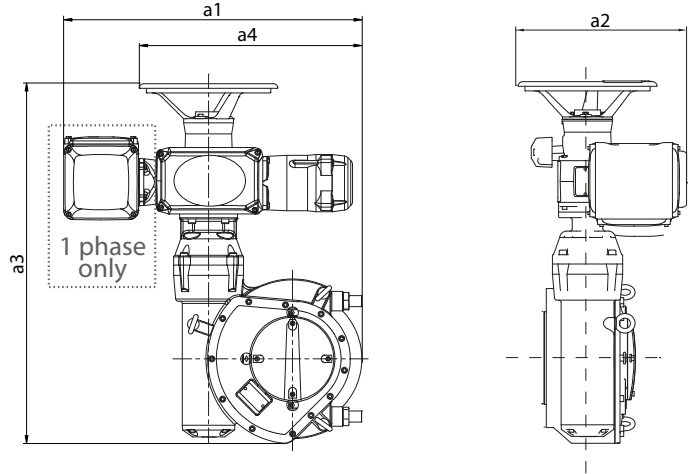
	Flange ISO5211	Stem size (mm)		a1 max. (mm)	a2 (mm)	a3 (mm)	Approx. Weight (kg/lbs)
		Bore (max.)	Square (max.)				
EZ25	F07/F10	30	22	513	307	180	18 / 40
EZ60	F07/F10	32	27	582	307	180	20 / 44



Tech Data - Dimensions

> EZ100 to EZ1000

EZ LOGIC or EZ SWITCH models



	Flange ISO5211t	Stem size (mm)		a1 max. (mm)	a2 (mm)	a3 (mm)	a4 (mm)	Approx. Weight (kg/lbs)
		Bore (max.)	Square (max.)					
EZ100	F12 (F14*)	60	36	---	364	521	462	47 / 103
EZ250	F16 (F14*)	80	46	---	364	664	462	64 / 141
EZ400	F16	80	50	---	364	664	462	67 / 147
EZ1000	F25	100	55	646	364	780	482	92 / 202

* F14 available as an option

CSA CERTIFIED MODELS
 Temperature range : -40 ... +60°C / -40 ... +140°F

→ Product selection

EZ1000 FA NC 210 A 2 CSA

Type

Operating time in seconds

NC = 1x115VAC 60Hz / SJ = 3x460VAC 60Hz / CE = 24V DC

FA = SWITCH & On-Off / FL = LOGIC & On-Off / KL = LOGIC & Positioning

CSA certified models

0=Nothing / 1=Potentiometer* / 2=TAM*

A=Standard flange / B=Optional flange

* for EZ SWITCH models