

Product datasheet

Specifications

Bernard's Master Station MS202e

YNVS417959P

Fundamental

Product Category	MS2X2e
------------------	--------

Compatible

Certificate	CE
-------------	----

Surroundings

Vibration Durability	03 gn
Shock Resistance	30 gn
Operating Ambient Temperature	-25..60 °C
Storage Ambient Temperature	-40..85 °C
Operating Altitude	0..2000 M
Relative Humidity	Relative humidity from 5% to 95% at 55°C, without any condensation
IP Rating	IP20

Standards	IEC 61131-2 IEC 61010-2-201 UL 61010-2-201 CSA C22.2 No 61010-2-201 IACS E10 EN/IEC 61000-6-5, interface type 1 and type 2 EN/IEC 61850-3, location G
-----------	---

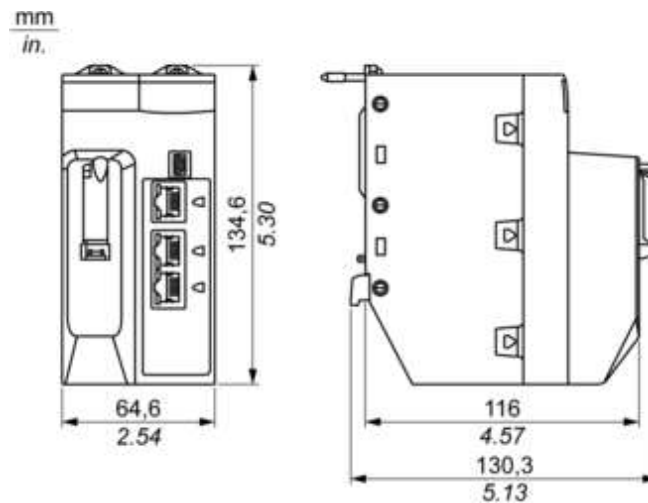
Hazardous Location	Class I, Division 2 hazardous location
--------------------	--

Packing Units

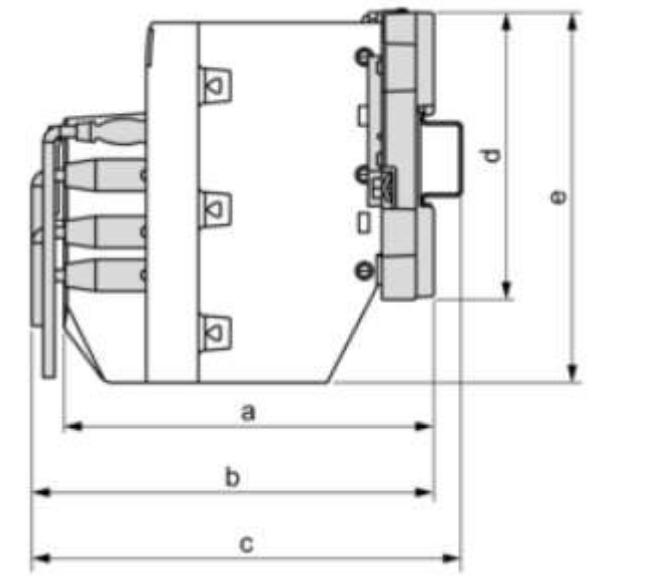
Unit Type	PC
No of Units	01
Height	15 cm
Width	30 cm
Length	40 cm
Weight	2.20 kg

Product datasheet YNVS417959P

Dimensions Drawings



Modules and cables Mounted in an Encloser



a: Enclosure Depth: 135 mm (5.315 in.)

b: Wiring + Module depth: > 146 mm (5.748 in.)

c: Wiring + module + DIN rail depth: > 156 mm (6.142 in.)

d: rack height: for an X Bus rack 103.7 mm (4.083 in.); for an Ethernet rack, 105.11 mm (4.138 in.)

e: module height: 134.6 mm (5.299 in.)